

## Product Description

### SPECIFICATIONS

4-season safety cover that complies with the **AFNOR regulation NF P90-308 December 2013**



• **Manoeuvre** : Ratchet spanner to be placed on the central drum for closing and opening

• **Membrane** : PVC pre-stressed membrane

• **Courroie** : Polyurethane with stainless steel cables



• **Méchanical** : All the metallic parts involved in the security are in anodized aluminium and 316 stainless steel

• **Rails** : Anodized aluminium

• **Casing** : Polyester powder-coated aluminium, matt finished of **Ral colour 7037** (standard)

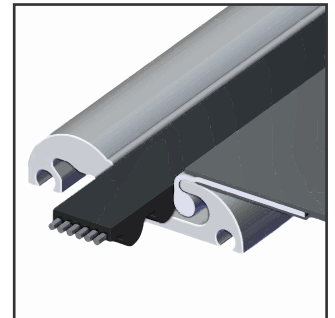
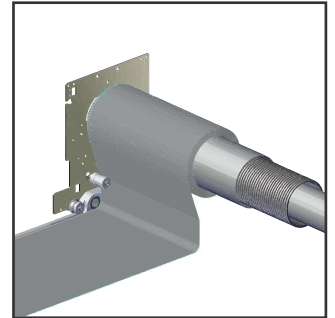


• **Length** : min 2 meters -> max 24 meters

• **Width** : min 2 meters -> max 8,5 meters (depending on the length of the cover)<sup>1</sup>



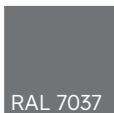
• **Speed** : Closing/opening time : 60 seconds for a length of 5 meters



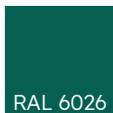
### AVAILABLE COLOURS OF THE MEMBRANE



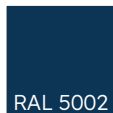
RAL 7035  
Light Grey



RAL 7037  
Dust Grey



RAL 6026  
Opal Green



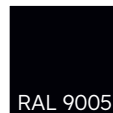
RAL 5002  
Cobalt Blue



RAL 5015  
Sky Blue



RAL 1015  
Light Ivory



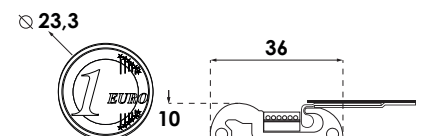
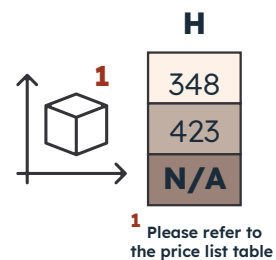
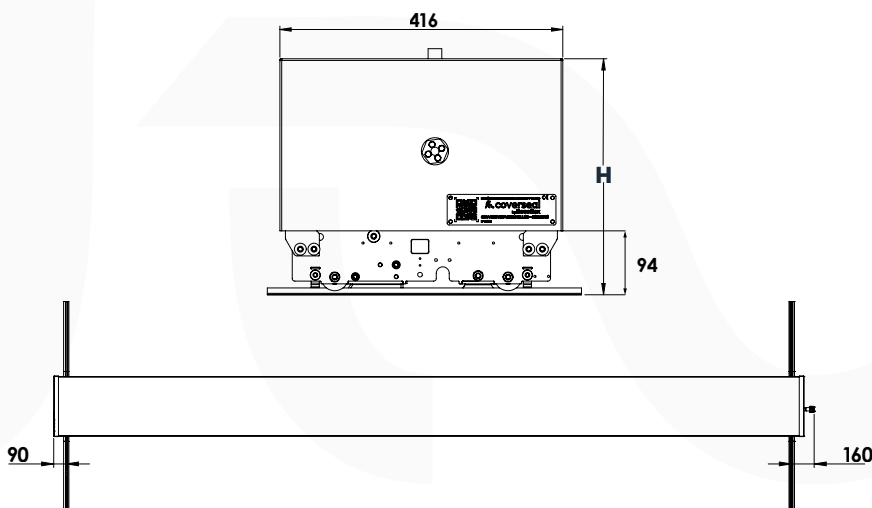
RAL 9005  
Pure Black

### AVAILABLE OPTIONS

- All-terrain rail (RTT) 72,0 mm x 10,6 mm (unregular surface or low density)
- The casing is available in all RAL K7 Classic paints except for fluo and metallic paints.
- Mechanical closing sensor



### MEASURES (in mm)



afnor



Technical Data Sheet: Manual Model  
Cover 102 in compliance with the Afnor NF P90-308 standard of December 2013 - LNE certified

coverseal