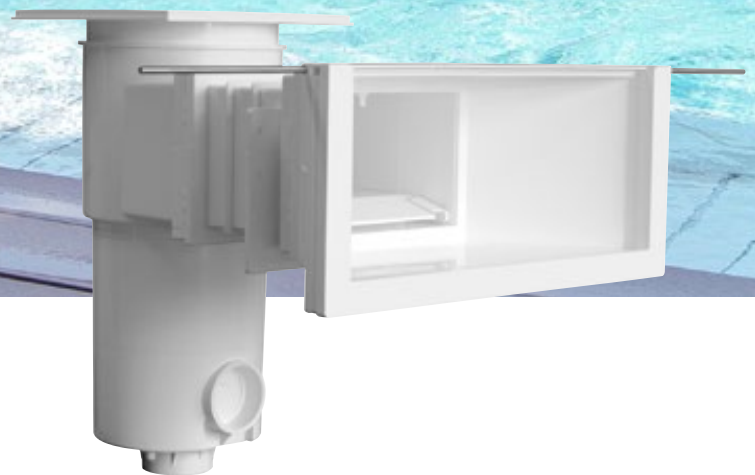




A skimmer that
raises the level!





MIRROR SKIMMER

SKIMMER TECHNICAL DATA:

- Made of pool-grade, UV stable ABS,
- Self-adhesive elastomer gaskets,
- Stainless steel screws, identical for every type of pool,
- Adhesive protective covers,
- Skims the water from the surface of the pool,
- Captures large debris (leaves, toys, large insects, etc.),
- Scored disk for creation of an overflow,
- Leaktight when mounted in liner (0.75mm and 0.85 mm) and reinforced membrane (1.50mm) pools,
- Available in 7 colours: White, Light Blue, Dark Blue, Beige, Grey, Anthracite Grey and Black,
- Made in France.

LIMITATIONS OF USE:

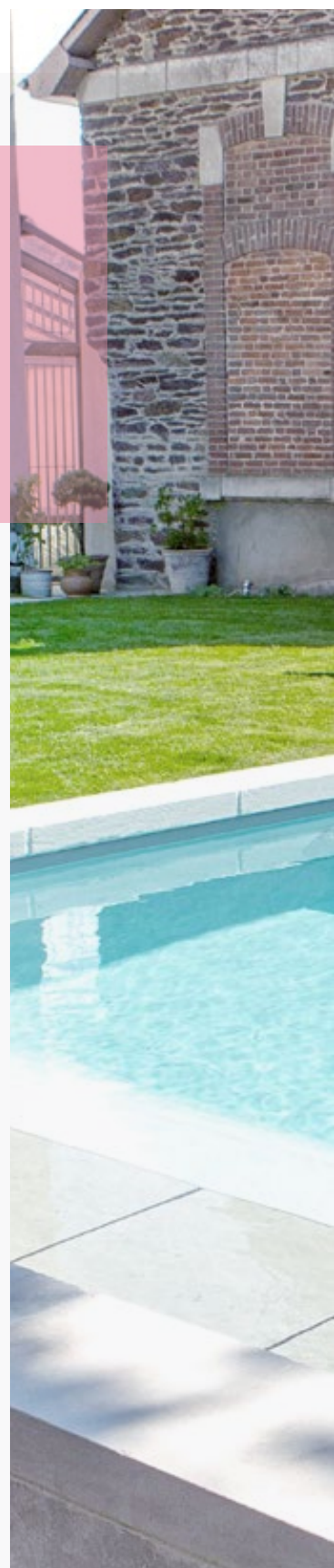
At the point where the mirror skimmer is installed, the coping must be at least 500 mm long and 30 mm thick.

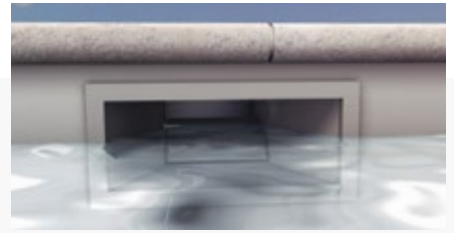
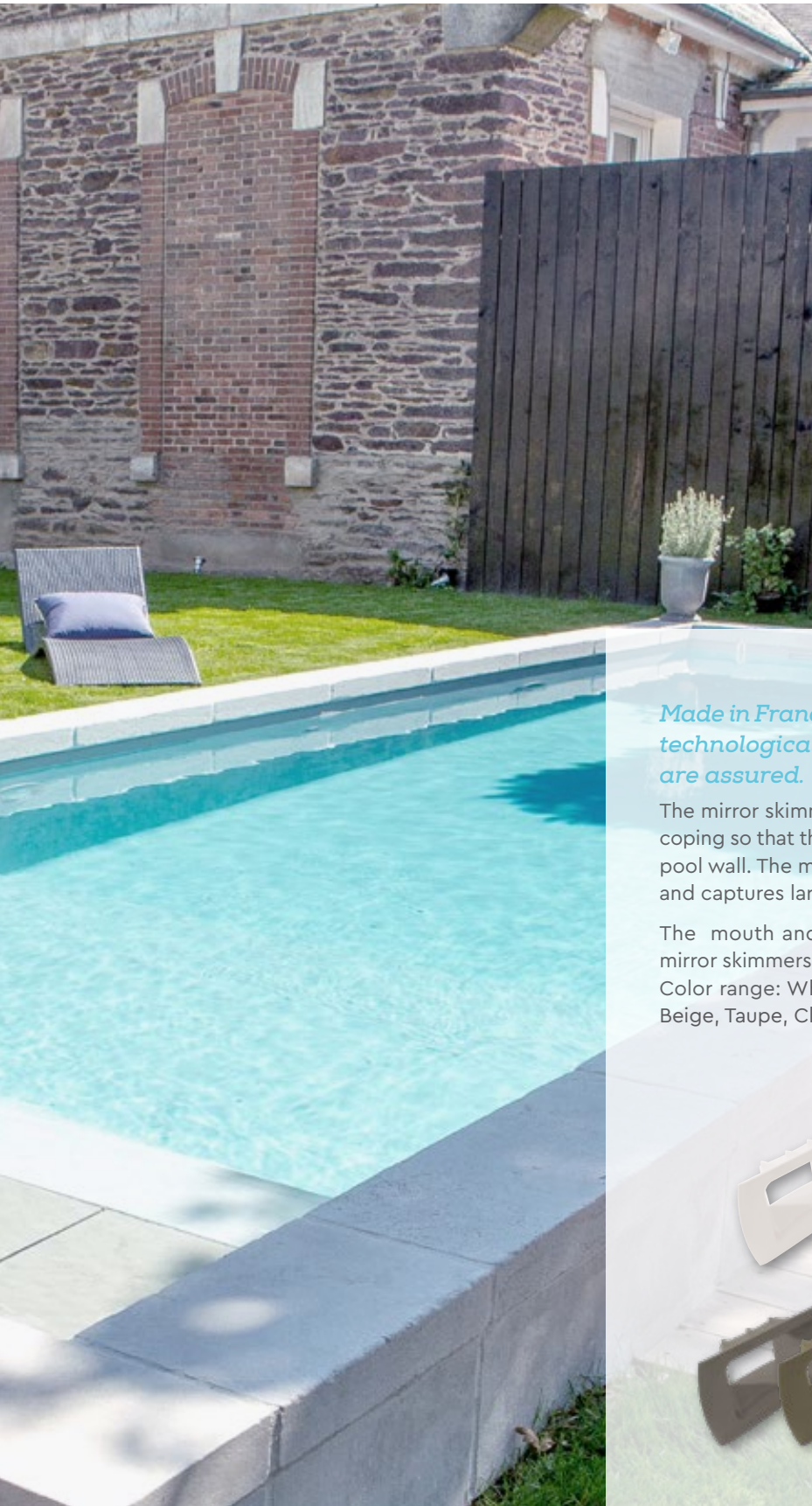
TECHNICAL DATA SPECIFIC TO MIRROR SKIMMERS:

- Water level 5 cm from the top of the pool wall.

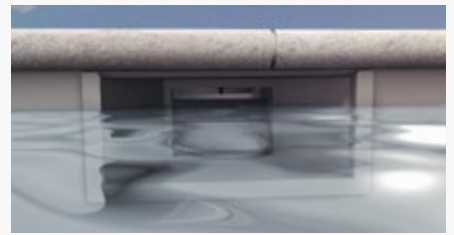


A bag of fibrous concrete and a welded mesh are included with each mirror skimmer.





Conventional skimmer

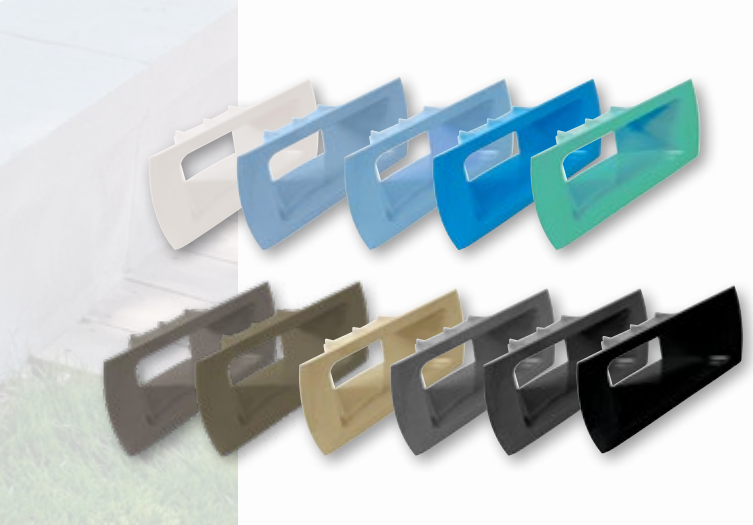


Mirror skimmer

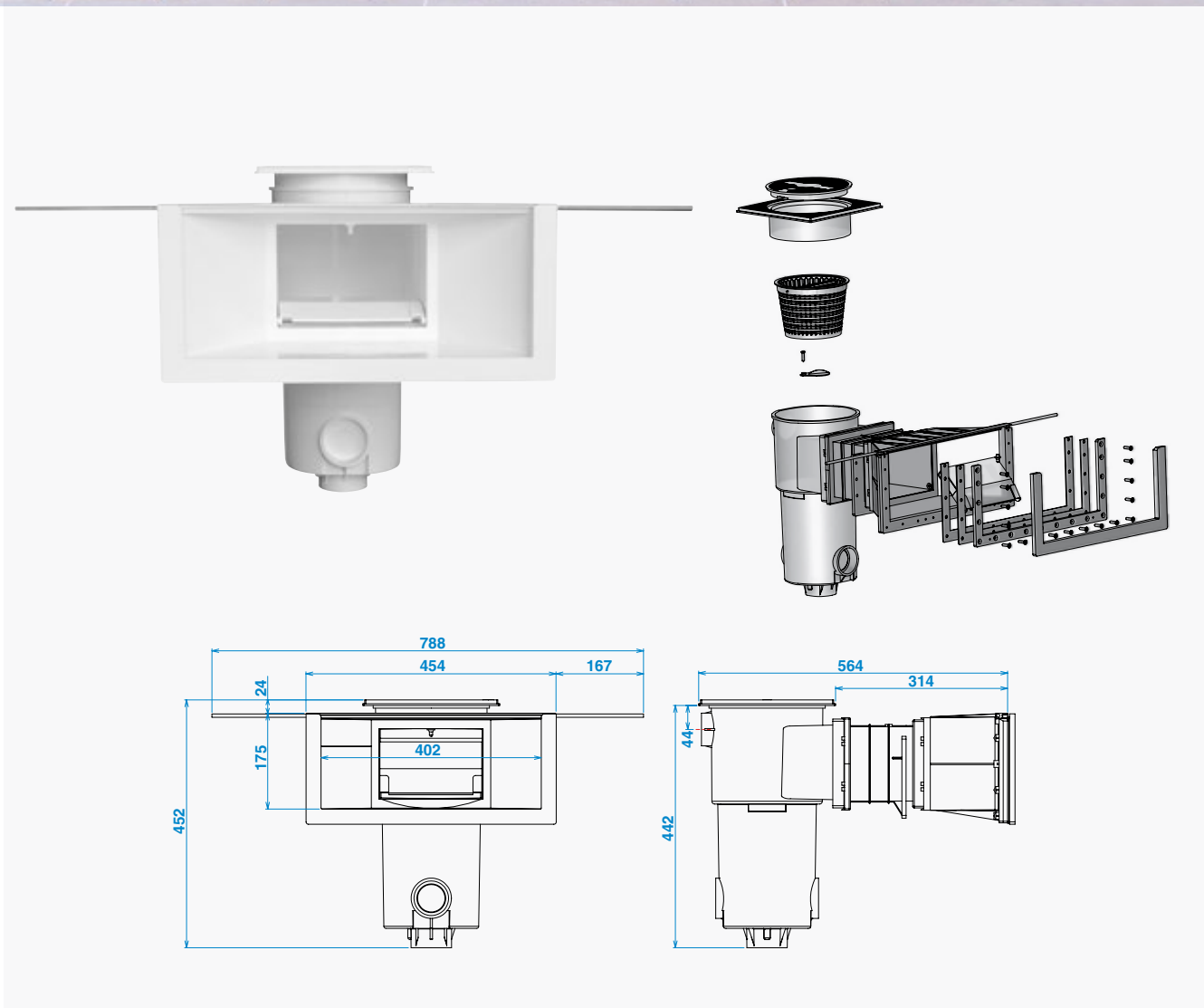
Made in France, BWT mirrors incorporate the latest technological innovations; quality and reliability are assured.

The mirror skimmer is designed to tuck discreetly under the coping so that the water level is only 5 cm from the top of the pool wall. The mirror skimmer skims the surface of the water and captures large debris (leaves, toys, large insects, etc.).

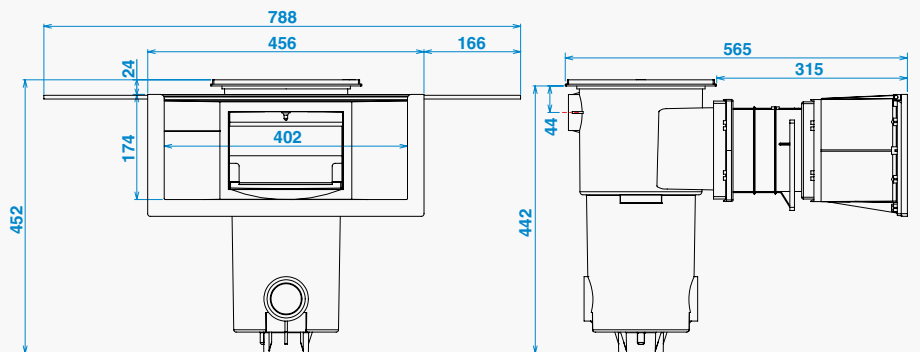
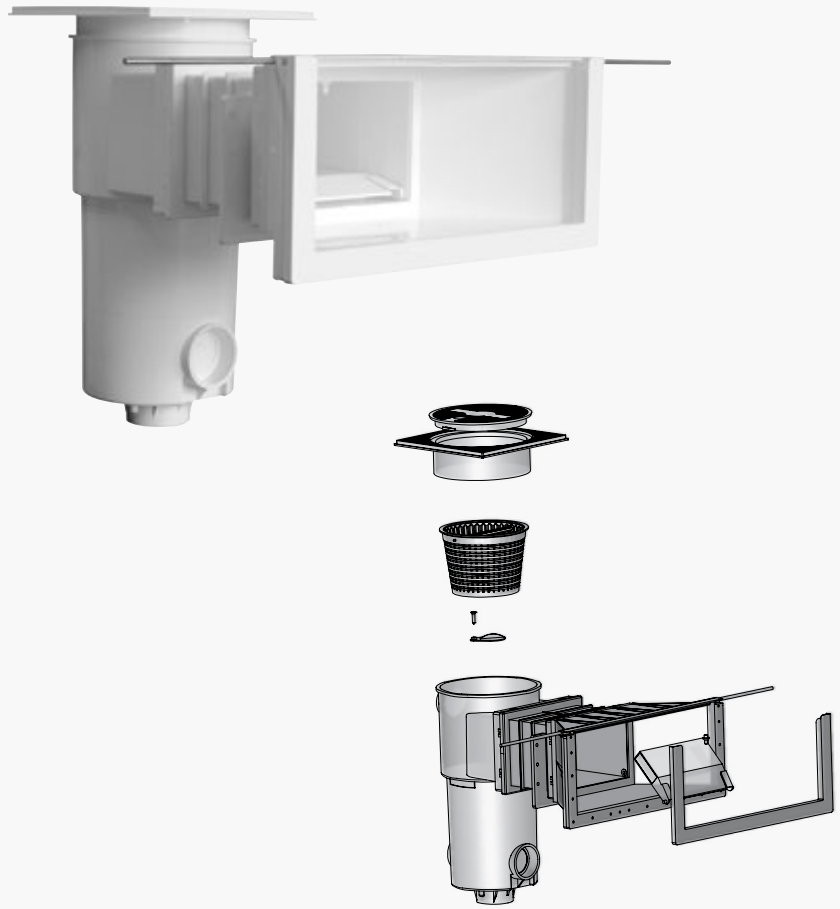
The mouth and throat trims for SL-119-MR and SB-118-MR mirror skimmers are available in 11 colours as part of the BWT Color range: White, Light Blue, Blue Grey, Dark Blue, Mint, Beige, Taupe, Clay, Grey, Anthracite Grey and Black.



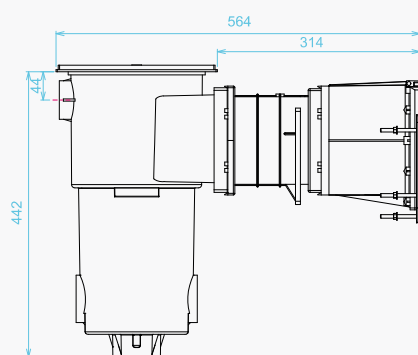
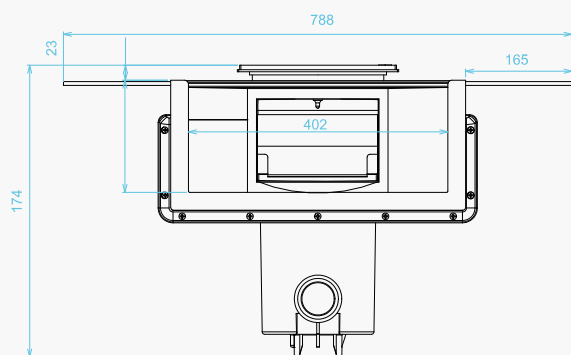
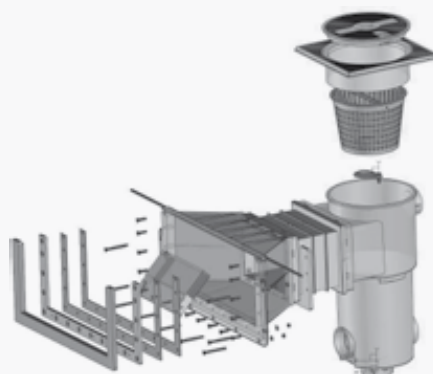
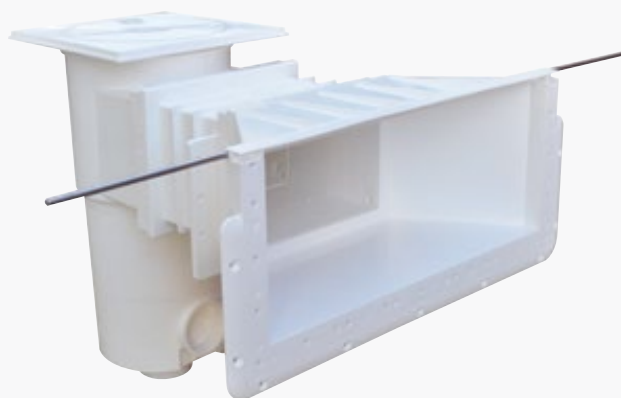
BWT MIRROR SKIMMER MASONRY/LINER SL-119-MR



BWT MIRROR SKIMMER CONCRETE SB-118-MR



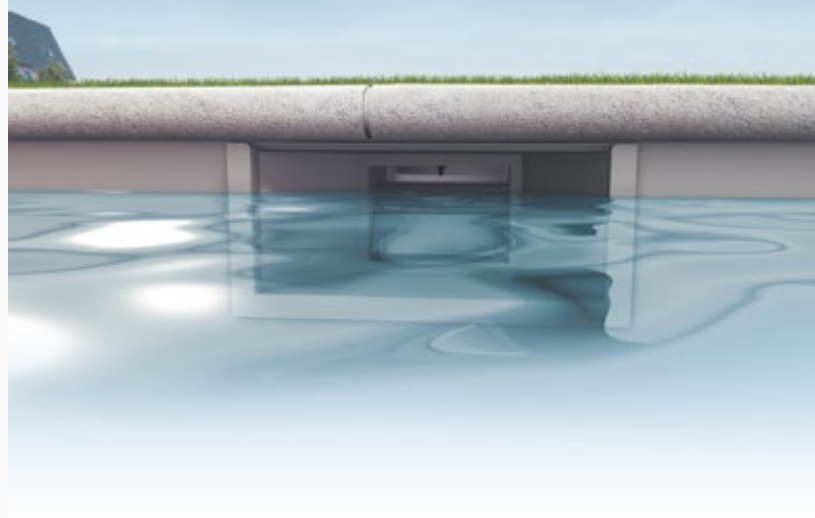
BWT MIRROR SKIMMER PANEL / LINER SL-119-P-MR





Quality and reliability guaranteed!

The mirror skimmer is perfect for pools fitted with high water level Stardeck automatic covers.



Raising the water level by a just a few centimetres could make your pool perfect!



PROCOPI S.A.S.

Les Landes d'Apigné – B.P. 45328
35653 LE RHEU Cedex – FRANCE

+33 2 99 14 78 78 ☎ +33 2 99 14 59 05

✉ rennes@procopi.com

procoshop.com

Dealer's stamp:

A large, empty rectangular box with a thin black border, intended for a dealer's stamp or signature.