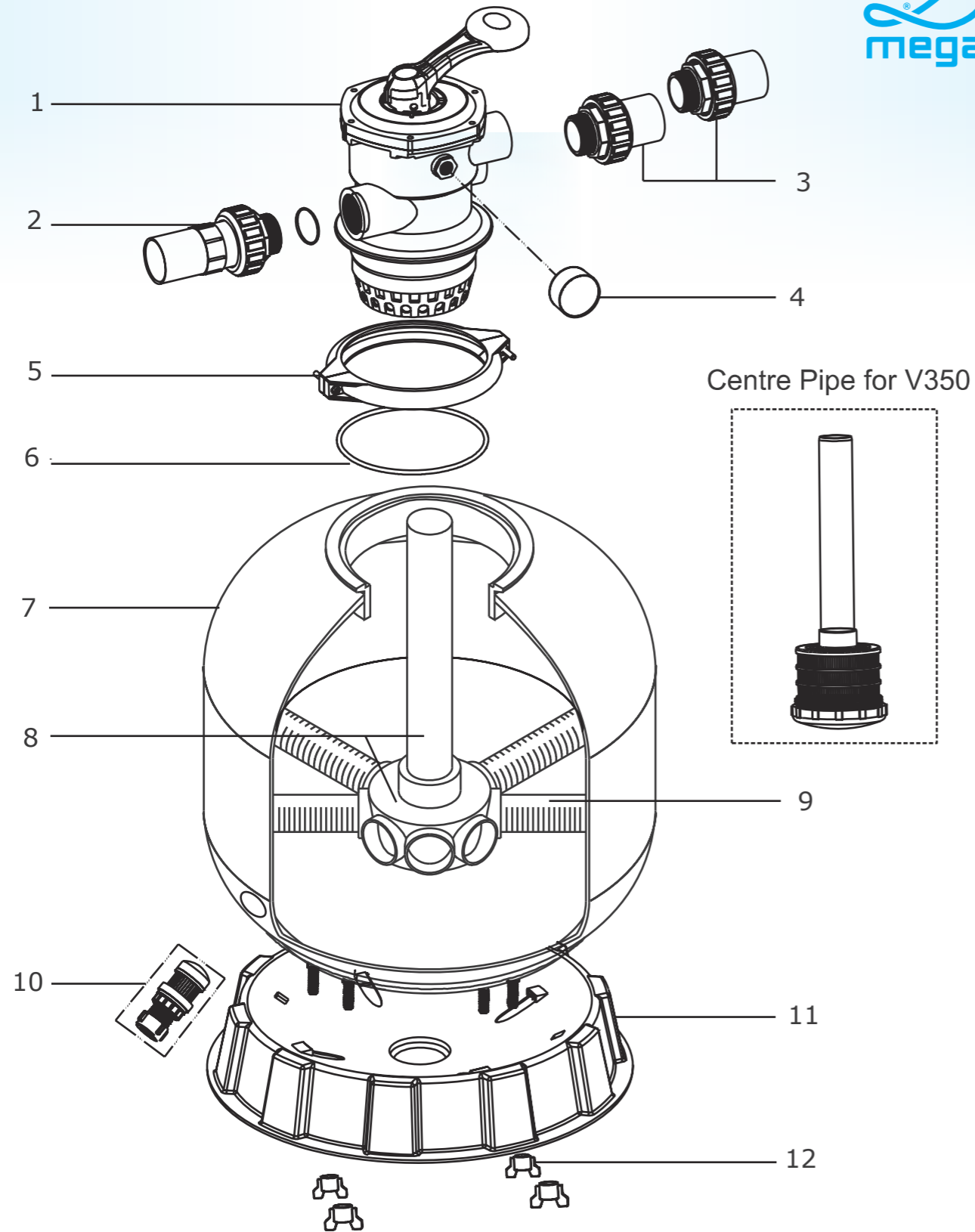


# SPARE PARTS

Mega Pool filter V350 - V650



Mega Pool filter V350 - V650

| NR. | DESCRIPTION                      | FOR FILTER | PART NR. INCLUDES | PART NR. |
|-----|----------------------------------|------------|-------------------|----------|
| 1   | Multiport valve 1 1/2"           |            | 1                 | 0891918  |
| 2   | Union with sight glass & O-Ring  |            | 1                 | 7009364  |
| 3   | Union set with O-Ring            |            | 2                 | 7009365  |
| 4a  | Oil pressure gauge               |            | 1                 | 7009341  |
| 4b  | Connector for oil pressure gauge |            | 1                 | 7009306  |
| 5   | Clamp                            |            | 1                 | 7009347  |
| 6   | O-Ring                           |            | 1                 | 7009338  |
| 7a  | Filter tank                      | V350       | 1                 |          |
| 7b  | Filter tank                      | V400       | 1                 |          |
| 7c  | Filter tank                      | V450       | 1                 |          |
| 7d  | Filter tank                      | V500       | 1                 |          |
| 7e  | Filter tank                      | V650       | 1                 |          |
| 8a  | Lateral assembly                 | V350       | 1                 | 7011017  |
| 8b  | Standpipe with hub               | V400       | 1                 |          |
| 8c  | Standpipe with hub               | V450       | 1                 |          |
| 8d  | Standpipe with hub               | V500       | 1                 |          |
| 8e  | Standpipe with hub               | V650       | 1                 |          |
| 9a  | Lateral 115mm                    | V400-V450  | 8                 | 7009308  |
| 9b  | Lateral 126mm                    | V500-V650  | 8                 | 7009309  |
| 10  | Water drain set                  |            | 1                 | 7009343  |
| 11a | Filter Base                      | V350       | 1                 |          |
| 11b | Filter Base                      | V400-V450  | 1                 |          |
| 11c | Filter Base                      | V500-V650  | 1                 |          |
| 12  | Fastener for Filter Base         |            | 4                 |          |