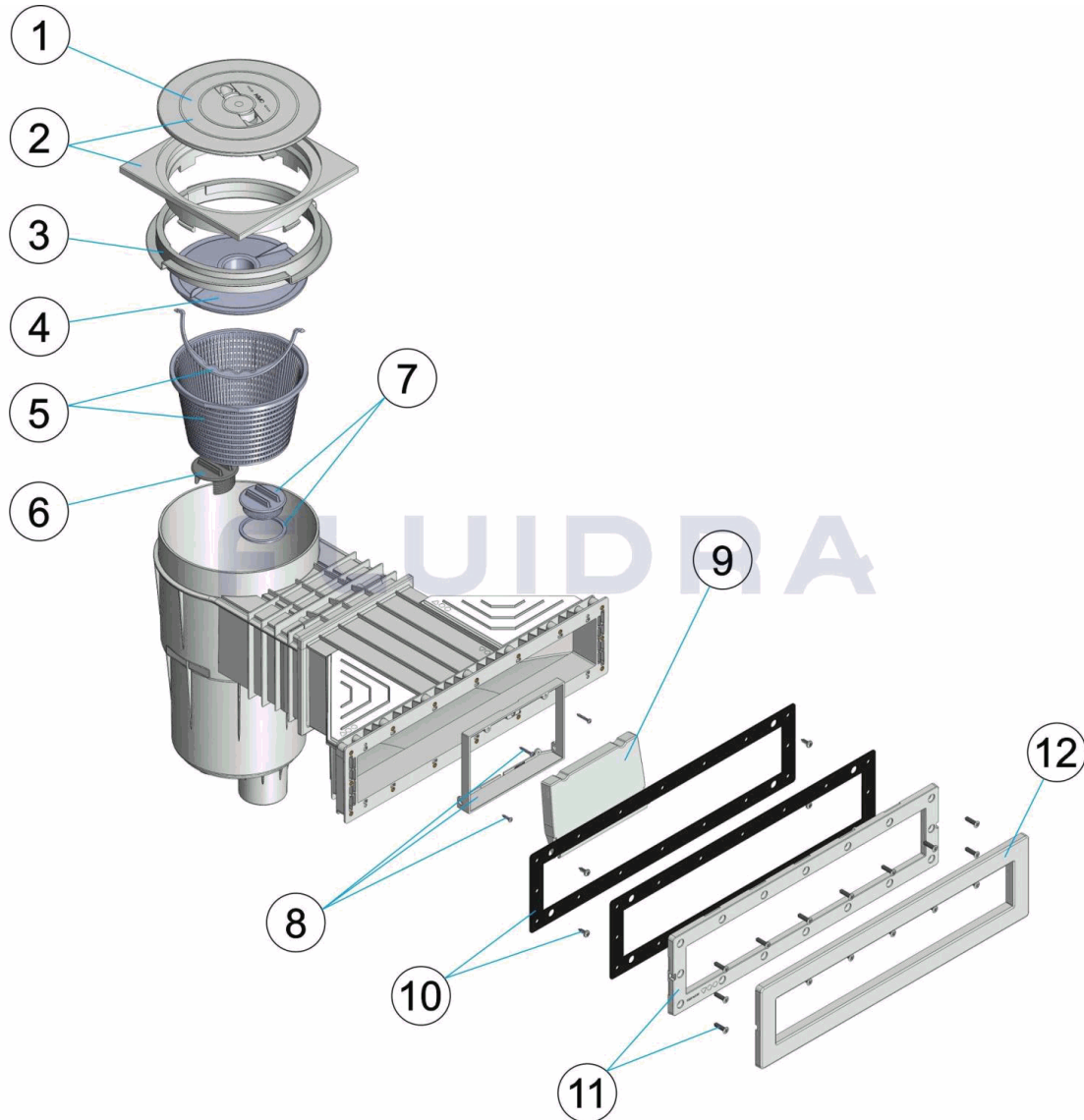


CODE **56176, 56176CL090, 56176CL129, 56176CL144, 56299, 56299CL090, 56299CL129, 56299CL144**

DESCRIPTION: **SKIMMER 17.5 L. 495 X 80 APERTURE WITH/WITHOUT INSERTS**



**ENGLISH**

POS	CODE	DESCRIPTION	POS	CODE	DESCRIPTION
1	* 4402010509	SKIMMER LID	6	4402010502	REGULATING PLUG
1	* 4402010064	SKIMMER LID	7	4402010503	BLANKING PLUG AND 'O' RING
1	* 4402010066	SKIMMER LID	8	* 4402010508	FLAP FRAME
1	* 4402010041	SKIMMER LID	8	* 4402010119	FLAP FRAME
2	* 4402010510	SQUARE RIM AND LID	8	* 4402010120	FLAP FRAME
2	* 4402010067	SQUARE RIM AND LID	8	* 4402010042	FLAP FRAME
2	* 4402010069	SQUARE RIM AND LID	9	* 4402010501	SKIMMER FLAP
2	* 4402010040	SQUARE RIM AND LID	9	* 4402010076	SKIMMER FLAP
3	* 4402010506	COLLAR EXTENSION RING	9	* 4402010079	SKIMMER FLAP
3	* 4402010073	COLLAR EXTENSION RING	9	* 4402010080	SKIMMER FLAP
3	* 4402010075	COLLAR EXTENSION RING	10	4402010021	ADHESIVE GASKET 495 X 80 APERTURE
3	* 4402010039	COLLAR EXTENSION RING	11	* 4402010022	FLANGE 495 X 80 APERTURE WITH INSERTS
4	4402010505	VACUUM PLATE	11	* 4402010024	FLANGE 495 X 80 APERTURE WITHOUT INSERTS

**\* -> SEE OBSERVATIONS SHEET**

CODE                    **56176,    56176CL090,    56176CL129,    56176CL144,    56299,    56299CL090,**  
**56299CL129, 56299CL144**

DESCRIPTION: **SKIMMER 17.5 L. 495 X 80 APERTURE WITH/WITHOUT INSERTS**

5	4402010504	BASKET 17,5 LITRES	11	* 4402010136	FLANGE 495 X 80 APERTURE WITH INSERTS
11	* 4402010140	FLANGE 495 X 80 APERTURE WITHOUT INSERTS	12	* 4402010023	PLATE 495 X 80 APERTURE
11	* 4402010137	FLANGE 495 X 80 APERTURE WITH INSERTS	12	* 4402010138	PLATE 495 X 80 APERTURE
11	* 4402010141	FLANGE 495 X 80 APERTURE WITHOUT INSERTS	12	* 4402010139	PLATE 495 X 80 APERTURE
11	* 4402010089	FLANGE 495 X 80 APERTURE WITH INSERTS	12	* 4402010087	PLATE 495 X 80 APERTURE
11	* 4402010142	FLANGE 495 X 80 APERTURE WITHOUT INSERTS			

CODE            **56176, 56176CL090, 56176CL129, 56176CL144, 56299, 56299CL090, 56299CL129, 56299CL144**

DESCRIPTION: **SKIMMER 17.5 L. 495 X 80 APERTURE WITH/WITHOUT INSERTS**

## OBSERVATIONS

POS	CODE	OBSERVATIONS
1	4402010509	FOR: 56176, 56299 BLANCO / WHITE
1	4402010064	FOR: 56176CL090, 56299CL090 BEIGE
1	4402010066	FOR: 56176CL129, 56299CL129 GRIS / GREY
1	4402010041	FOR: 56176CL144, 56299CL144 ANTRACITA / ANTHRACITE
2	4402010510	FOR: 56176, 56299 BLANCO / WHITE
2	4402010067	FOR: 56176CL090, 56299CL090 BEIGE
2	4402010069	FOR: 56176CL129, 56299CL129 GRIS / GREY
2	4402010040	FOR: 56176CL144, 56299CL144 ANTRACITA / ANTHRACITE
3	4402010506	FOR: 56176, 56299 BLANCO / WHITE
3	4402010073	FOR: 56176CL090, 56299CL090 BEIGE
3	4402010075	FOR: 56176CL129, 56299CL129 GRIS / GREY
3	4402010039	FOR: 56176CL144, 56299CL144 ANTRACITA / ANTHRACITE
8	4402010508	FOR: 56176, 56299 BLANCO / WHITE
8	4402010119	FOR: 56176CL090, 56299CL090 BEIGE
8	4402010120	FOR: 56176CL129, 56299CL129 GRIS / GREY
8	4402010042	FOR: 56176CL144, 56299CL144 ANTRACITA / ANTHRACITE
9	4402010501	FOR: 56176, 56299 BLANCO / WHITE
9	4402010076	FOR: 56176CL090, 56299CL090 BEIGE
9	4402010079	FOR: 56176CL129, 56299CL129 GRIS / GREY
9	4402010080	FOR: 56176, 56299 ANTRACITA / ANTHRACITE
11	4402010022	FOR: 56176 BLANCO / WHITE
11	4402010024	FOR: 56299 BLANCO / WHITE
11	4402010136	FOR: 56176CL090 BEIGE
11	4402010140	FOR: 56299CL090 BEIGE
11	4402010137	FOR: 56176CL129 GRIS / GREY
11	4402010141	FOR: 56299CL129 GRIS / GREY
11	4402010089	FOR: 56176CL144 ANTRACITA / ANTHRACITE
11	4402010142	FOR: 56299CL144 ANTRACITA / ANTHRACITE
12	4402010023	FOR: 56176, 56299 BLANCO / WHITE
12	4402010138	FOR: 56176CL090, 56299CL090 BEIGE
12	4402010139	FOR: 56176CL129, 56299CL129 GRIS / GREY
12	4402010087	FOR: 56176CL144, 56299CL144 ANTRACITA / ANTHRACITE