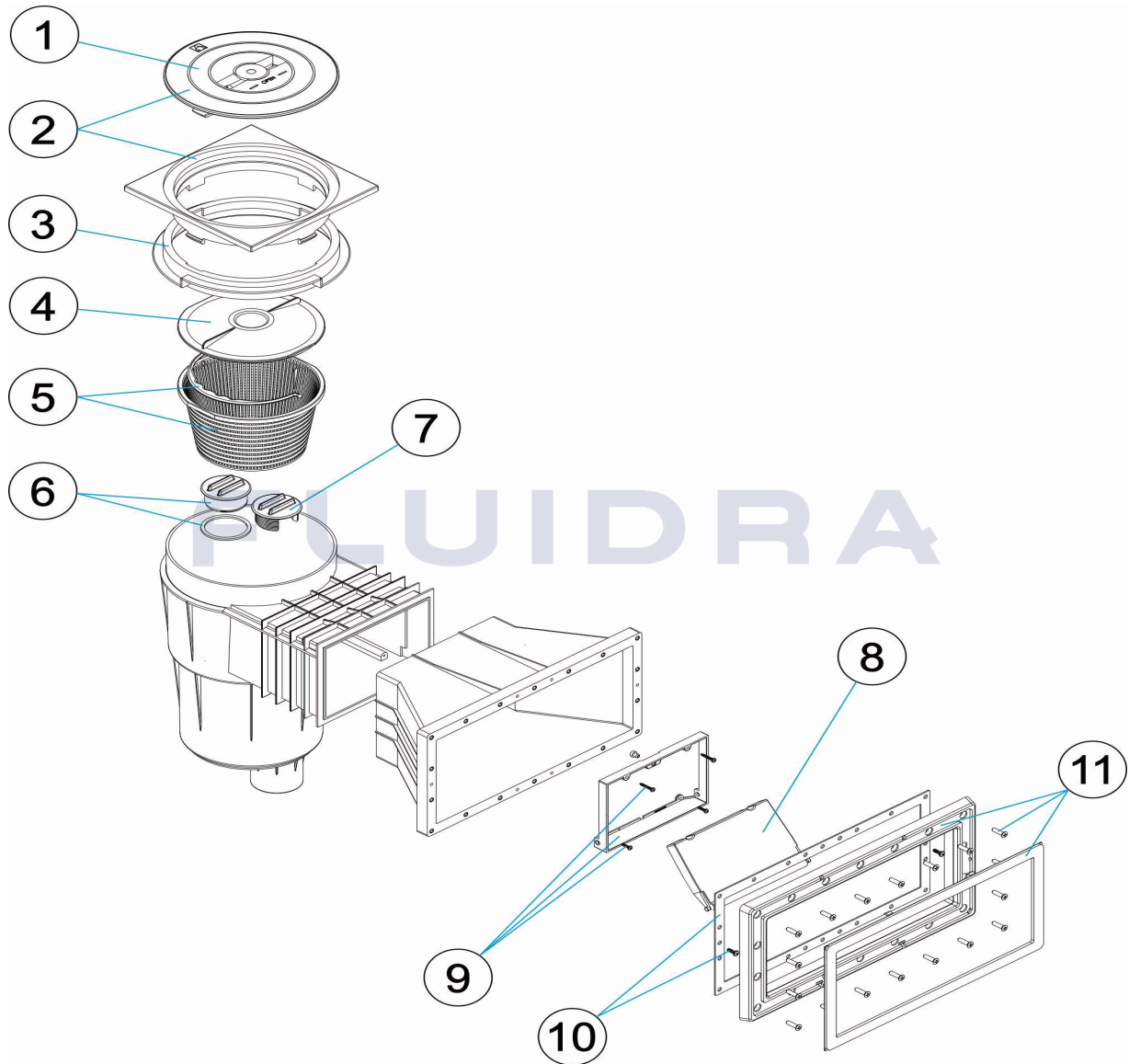


CODE 11311, 11311CL090, 11311CL129, 11311CL144

DESCRIPTION: SKIMMER 17.5L PP WIDE MOUTH SQUARE COVER



**ENGLISH**

POS	CODE	DESCRIPTION	QUANTITY	POS	CODE	DESCRIPTION	QUANTITY
1	* 4402010509	SKIMMER LID		7	4402010502	REGULATING PLUG	
1	* 4402010064	SKIMMER LID		8	* 4402010501	SKIMMER FLAP	
1	* 4402010066	SKIMMER LID		8	* 4402010076	SKIMMER FLAP	
1	* 4402010041	SKIMMER LID		8	* 4402010079	SKIMMER FLAP	
2	* 4402010510	SQUARE RIM AND LID		8	* 4402010080	SKIMMER FLAP	
2	* 4402010067	SQUARE RIM AND LID		9	* 4402010508	FLAP FRAME	
2	* 4402010069	SQUARE RIM AND LID		9	* 4402010119	FLAP FRAME	
2	* 4402010040	SQUARE RIM AND LID		9	* 4402010120	FLAP FRAME	
3	* 4402010506	COLLAR EXTENSION RING		9	* 4402010042	FLAP FRAME	
3	* 4402010073	COLLAR EXTENSION RING		10	4402014101	LINER POOL GASKET	
3	* 4402010075	COLLAR EXTENSION RING		11	* 4402010408	SKIMMER FRAME FOR LINER	
3	* 4402010039	COLLAR EXTENSION RING		11	* 4402010100	SKIMMER FRAME FOR LINER	
4	4402010505	VACUUM PLATE		11	* 4402010125	SKIMMER FRAME FOR LINER	

CODE                    **11311, 11311CL090, 11311CL129, 11311CL144**

DESCRIPTION: **SKIMMER 17.5L PP WIDE MOUTH SQUARE COVER**

5	4402010504	BASKET 17,5 LITRES	11	* 4402010124	SKIMMER FRAME FOR LINER
6	4402010503	BLANKING PLUG AND 'O' RING			

CODE **11311, 11311CL090, 11311CL129, 11311CL144**

DESCRIPTION: **SKIMMER 17.5L PP WIDE MOUTH SQUARE COVER**

## OBSERVATIONS

POS	CODE	OBSERVATIONS
1	* 4402010509	FOR: 11311 BLANCO / WHITE
1	* 4402010064	FOR: 11311CL090 BEIGE
1	* 4402010066	FOR: 11311CL129 GRIS / GREY
1	* 4402010041	FOR: 11311CL144 ANTRACITA / ANTHRACITE
2	* 4402010510	FOR: 11311 BLANCO / WHITE
2	* 4402010067	FOR: 11311CL090 BEIGE
2	* 4402010069	FOR: 11311CL129 GRIS / GREY
2	* 4402010040	FOR: 11311CL144 ANTRACITA / ANTHRACITE
3	* 4402010506	FOR: 11311 BLANCO / WHITE
3	* 4402010073	FOR: 11311CL090 BEIGE
3	* 4402010075	FOR: 11311CL129 GRIS / GREY
3	* 4402010039	FOR: 11311CL144 ANTRACITA / ANTHRACITE
8	* 4402010501	FOR: 11311 BLANCO / WHITE
8	* 4402010076	FOR: 11311CL090 BEIGE
8	* 4402010079	FOR: 11311CL129 GRIS / GREY
8	* 4402010080	FOR: 11311CL144 ANTRACITA / ANTHRACITE
9	* 4402010508	FOR: 11311 BLANCO / WHITE
9	* 4402010119	FOR: 11311CL090 BEIGE
9	* 4402010120	FOR: 11311CL129 GRIS / GREY
9	* 4402010042	FOR: 11311CL144 ANTRACITA / ANTHRACITE
11	* 4402010408	FOR: 11311 BLANCO / WHITE
11	* 4402010100	FOR: 11311CL090 BEIGE
11	* 4402010125	FOR: 11311CL129 GRIS / GREY
11	* 4402010124	FOR: 11311CL144 ANTRACITA / ANTHRACITE